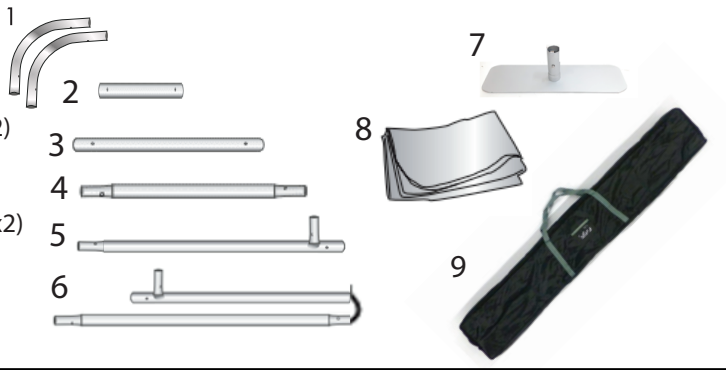


# BARRICADE KIT

## Product Parts

1. Top Corner Poles (x2)
2. 8" Straight Pole (x6)
3. 17.25" Straight Pole (x2)
4. 21.5" Straight pole (x2)
5. T Pole (X4)
6. Shock-Corded T Pole (x2)
7. Foot (x2)
8. Graphic
9. Soft Case



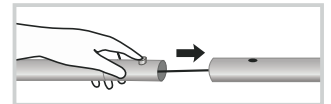
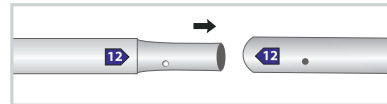
## Display Set-Up

### Step 1

Begin by removing all parts from the Soft Case (9) and place on a clean, flat surface. Ensure you have all the components listed above.

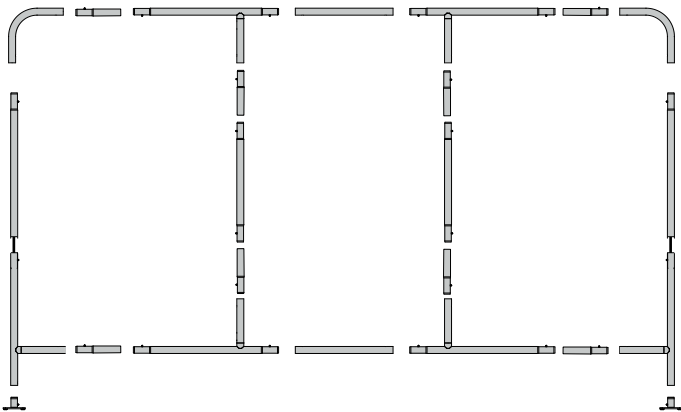
### Step 2

Assemble all the poles by connecting the corresponding numbers together while pressing the snap button as shown.



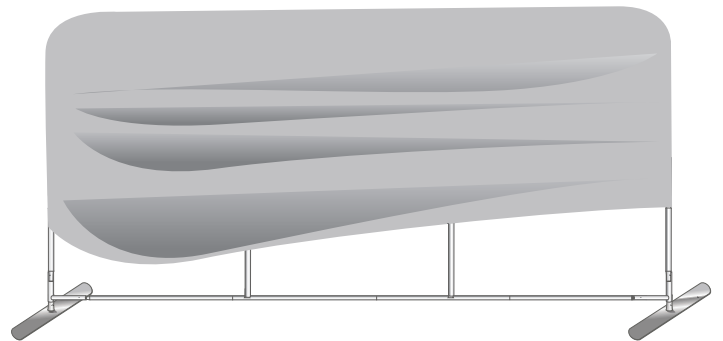
### Step 3

Continue to connect the poles illustrated in the image below.



### Step 4

Drrape the Graphic (8) over the hardware as shown.



## Storage & Care

Place all product parts into Carry Case and store in a cool dry location. Recommended for indoor use only. Machine wash on gentle cycle using mild detergent. Tumble Dry No Heat. Do NOT dry clean, Do NOT Iron.